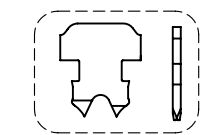
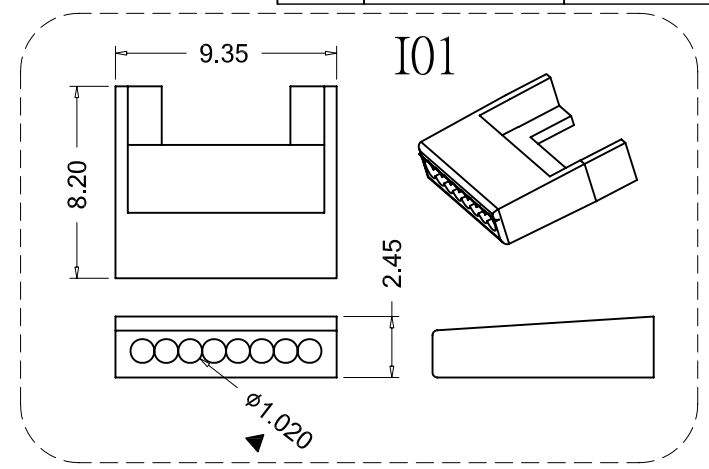
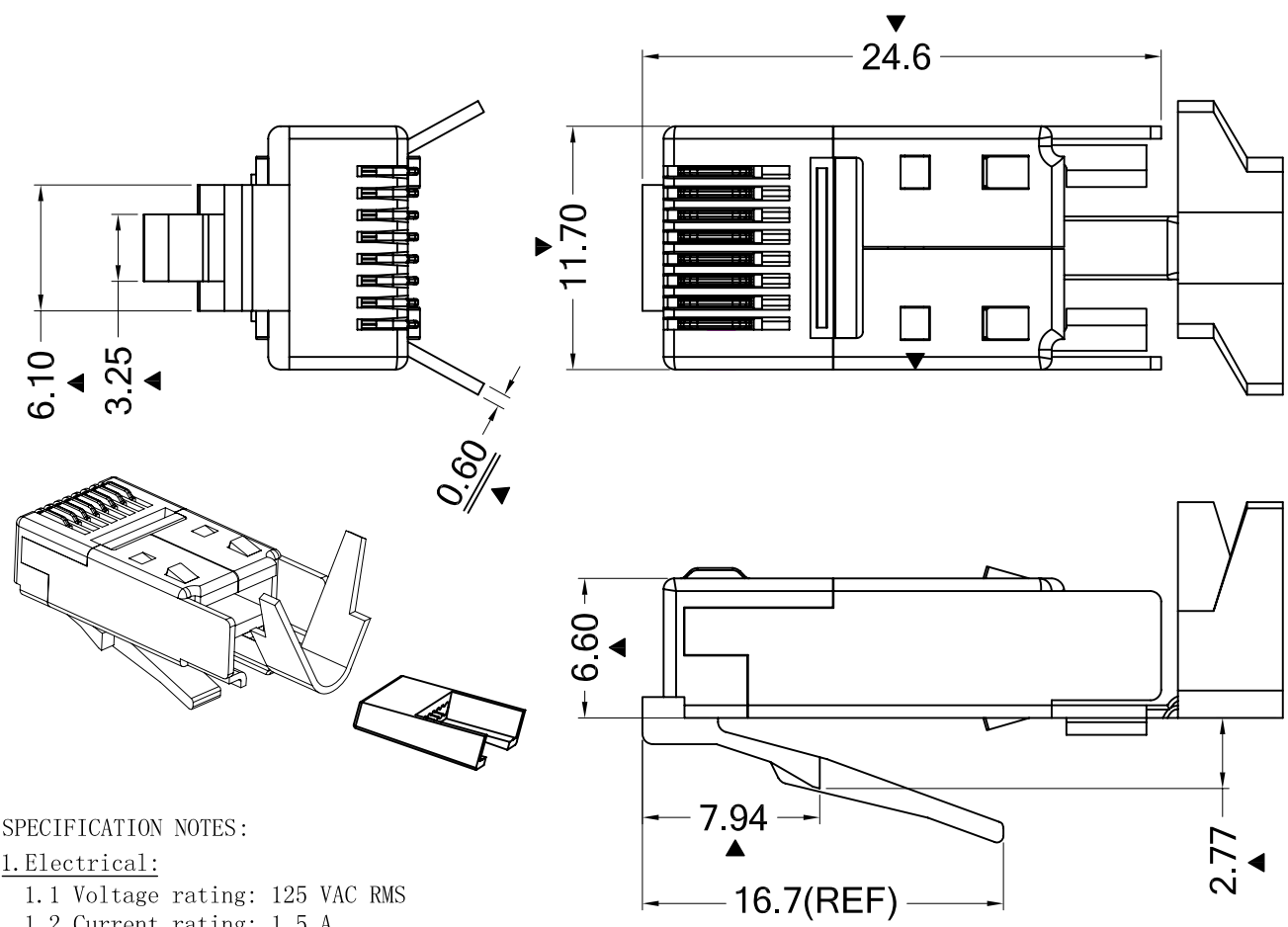


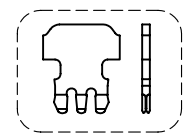
成品图

注:带▲为需管控尺寸

REV.	ECN NO.	DATE



A : stranded wire



H : solid wire

SPECIFICATION NOTES:

1. Electrical:

- 1.1 Voltage rating: 125 VAC RMS
- 1.2 Current rating: 1.5 A
- 1.3 Contact resistance: 50 milliohms max
- 1.4 Insulation resistance: 1000 megaohms min @ 500 VDC
- 1.5 Dielectric strength: 1000 VAC RMS 50Hz, 1MIN.

2. Mechanical:

- 2.1 Retention strength: 50N MIN FOR 60S±5S
- 2.2 Operating life: 750 CYCLES MIN
- 2.3 Insertion force: 30N MAX.

3. Material & finish:

- 3.1 Housing: PC UL94V-2 clean
- 3.2 Contact: copper alloy plated with gold
- 3.3 Shield: Brass plated with Nickel
- 3.4 Operating temperature: -40 °C to +80 °C.

未注公差 (mm)	
x	±0.30
.x	±0.20
.xx	±0.15
.xxx	±0.05
	±2.0

**Coorle Technology**

核 准      审 查      绘 图      HU

TITEL 品名	PLUG		
PART NO. 料号	101030015		
DATE 日期	2020/08/24		
SCALE 比例	1:1	VIEW 视角	
REV 版本	A.0		